

# SPECIFICATION

P/N): EN-50ohm 200 Coax×42AWG+4Cx30AWG

Prepared : Zach Shawn

Reviewed : Ian Strong

Approved : Zac Shawn

URL: [http://: www.rf-coaxial.com](http://www.rf-coaxial.com)

mail: [Sales@rf-coaxial.com](mailto:Sales@rf-coaxial.com)

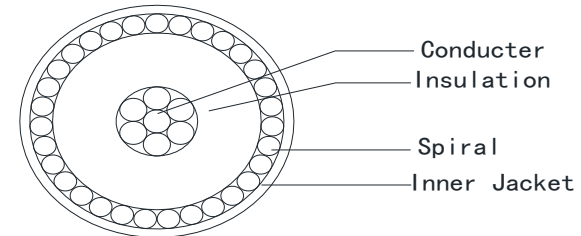
## 1. Scope

This cable is used for medical equipment.

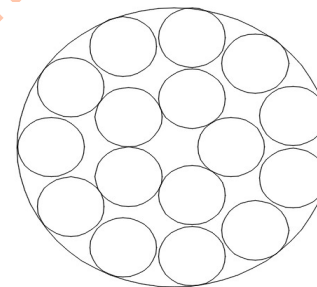
## 2. Construction

### 1-1 Construction table

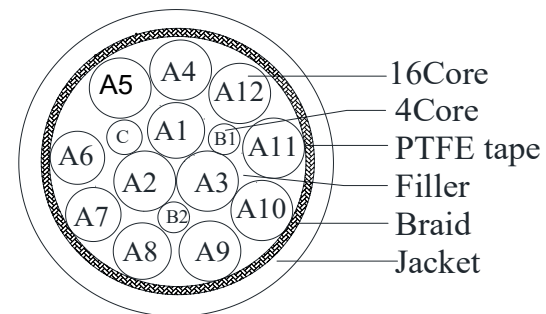
Item	sub items	Unit	Specified Value	Specified Value
			42AWG Coax.	30AWG
Number of cores	C	-	200C	4C
Inner Conductor	Material	-	SPCA	SPCA
	Stranding	No./mm	7/0.025	41/0.04
	Dia.	mm	0.075	0.30
Insulation	Material	-	PFA	PFA
	Thick.	mm	0.1	0.10
	Dia.	mm	0.27±0.02	0.6±0.05
	Color	-	yellow	Pink
Outer Conductor	Type	-	Spiral	-
	Material	-	TCA	-
	Thick.	mm	-	-
wrapper	Material	-	PET Tape	-
	Thick.	mm	-	-
	Dia.	mm	0.36±0.02	-
	Color	-	See Charm	-
Binder Tape	Material	-	PTFE	-
	Thick.	-	0.05	-
Shield	Type	-	Braid	-
	Material	-	TTW	-
	Stranding	mm	0.11	-
	Coverage	%	Nom. 95	-
Sheath	Material	-	PVC	-
	Thick.	mm	0.7	-
	Dia.	mm	9.6±0.4	-

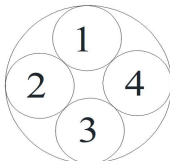
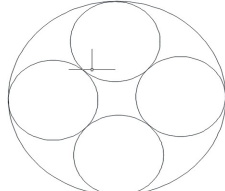


42AWG Coax.



Unit A:16 coax\*42AWG  
A1-A12 :Unit A



	Color	-	White		No.	Color	No.	Color
 <p>Unit B:4Coax*42AWG B1-B2: Unit(B)</p>	 <p>Unit C:4C*30AWG</p>			A1	Black	A10	Green	
				A2	White	A11	brown	
				A3	Red	A12	Orange	
				A4	Red	B1/B2-1	Brown	
				A5	White	B1/B2-2	Orange	
				A6	White	B1/B2-3	White	
				A7	yellow	B1/B2-4	Yellow	
				A8	yellow	C	Pink	
				A9	Blue			

3. Characteristic

2 Characteristic table

Item	Unit	Specified Value of 42AWG Coaxial	Specified Value of 30AWG
1 Rating temperature	°C	60	60
2 Rating voltage	V	30	30
3 Conductor resistance20°C	Ω/km	Max.7300	Max.480
4 Insulation Resistance 20°C	MΩ-km	Min.1500	Min.500
5 Dielectric Strength	VAC)/1min	500V/Min AC	
6 Characteristic Impedance@2ns	Ω	Nom. 80±10%	-
7 Capacitanceat 1kHz	pF/m	Nom. 50pfm±12%	-

4. Packing: Standard length : 100m Min.5m) Packing method : By Coil

5. Notes

※ : Storage environment: Better to store at temperature below 30°C, humidity within 20~65%, avoid direct sunlight.

※ : Optimal storage period: 2 months; After 2 months, the operability may decreases, but the electrical performance will not be affected.

Rev.1

Initial