

1. Scope

This specification covers the construction and the electrical properties of Coaxial Cable.
10005/1354 40 AWG (80°C,30V)

2. Construction

Unit: mm

/Item		Details
Conductor	Material	slivered Copper Alloy Wire
	Composition (No./mm)	7/0.03 (±0.004)
	NO.D(mm)	0.090 ±0.010
Insulation	Material	PFA
	Nom.Thick(mm)	0.079
	O.D(mm)	0.248 ±0.02
Shield (1)	Material	Tinned Copper Alloy Wire
	Composition	Spiral Shield of 0.03
Shield (2)	Material	Copper Coated Polyester Tape
	Composition	Wrapping
Wrapping Tape	Material	Polyester Tape (Color)
	Composition	Wrapping
	O.D(mm)	0.350 ±0.02

*Wrapping Tape Colors Optional :Blue、 Yellow、 Sky blue、 Red 、 White、 Green、 Gray、 Black

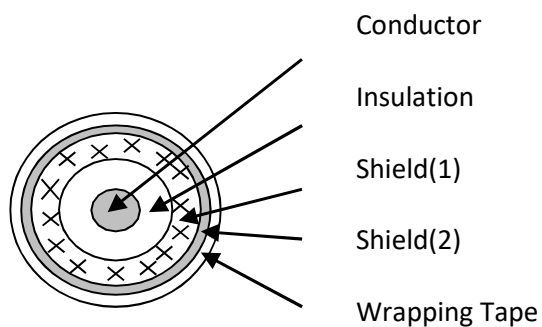
3 Electrical Properties (at 20°C)

Item	Unit	Details
Conductor Resistance	Ωkm	Max.5000
Insulation Resistance	MΩ·km	Min.1524
Dielectric Strength	V(AC)min	500
Capacitance	pF/m	Nom. 103(1KHz)
Characteristic Impedance	Ω	50±5 (TDR at 1ns)
(*1)Allowable Current	A	0.4(Ref.)
(*2)Tensile Strength	N	10.8(Ref.)
Rating of Temperature	°C	80
Rating of Voltage	V	30

(*1)Single coaxial cable in the air,at ambient temperature 40°C,

Max conductor temperature 80°C.

(*2)Single coaxial cable,L=100mm,V=20mm/min.



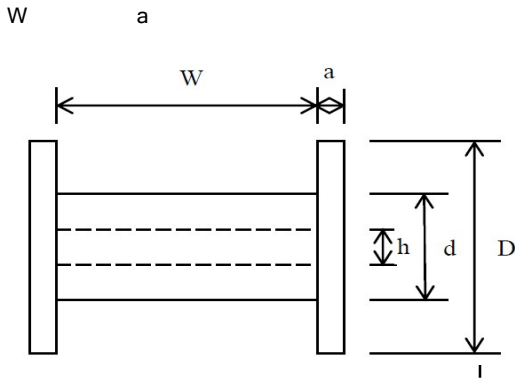
5. Packing

5.1 Unit length

1) Standard unit length of finished cable shall be 1000m on reel.

2) Min. unit length of finished cable shall be 100m on reel.

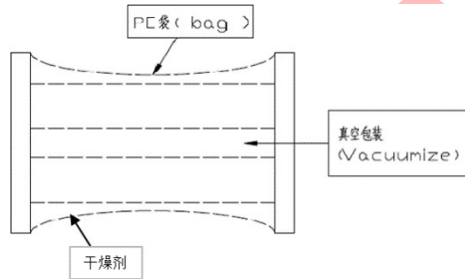
5.2 Dimension of plastic reel (P-130;Black)



Unit: mm

Item	D	d	W	a	h
P-130	130	60	90	10	20

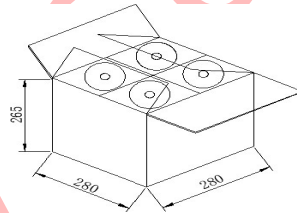
5.3 Packing of plastic reel:



5.4 Dimension of packing carton:

Unit: 8 Reels/box

Packing illustration



6. Marking

- (1) Date of manufacture
- (2) Name of manufacture
- (3) Color
- (4) Length
- (5) Lot No.

7. /Notice of application

7.1 :Please store the cable in the dry and cool place, suggest the store conditions as follows: Temperature:20-30℃, Humidity: <60%,When under the above storage condition suggested that uses in one year

7.2 :When using the cable,be care not to break it because the cable is very thin and small

7.3 :When peeling the insulation,please be care of not breaking the inner conductor

7.4 :When assembling suggest the tinned plated conditions as follows: Temperature:265±5℃, Flux:JiShiYu-LFD, dip time:2-3s。 And do not immerge the insulation and jacket into tin. Because too high temperature and Too long time will cause the insulation and jacket softening and shrinking。

7.5 :When assembling please do not damage the insulation,otherwise short circuit between inner Conductor and outer conductor will be caused。

7.6 :Please don't use some organic compound wash the cable。

7.7 :When tearing the packing,please do not use the sharp tools to avoid damaging the cable in the bag.

7.8 :This products is not suitable for automobile application in some cases . Please contact with our sales office before you use this product.

End of specification

www.rf-coaxial.com